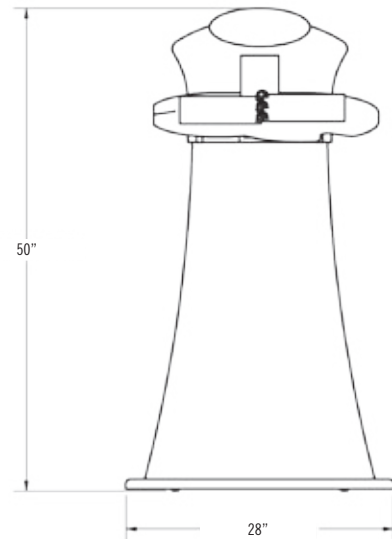


## The Pond Guide™

A self-help center for your customers! A 3-ring binder sits atop decorative lily pads and there's even room to insert Aquascape's Tri-Fold brochures on the top of the unit. Constructed of waterproof material to stand up to the elements of everyday life in a water garden center. The information held within the pages will inform and educate current and wanna-be water garden enthusiasts. This creatively designed marketing kiosk can be used as a stand-alone unit or break it down and set the lily pad and binder on your existing shelving unit.

#99747 The Pond Guide™ Case: 4, Unit Weight: 40 lb.



The Pond Guide™: Retail - \$449<sup>99</sup>  
Early Buy Price - \$404<sup>99</sup>